

- o Flat Cable Connectors SEK
- o *har-mik®*
- o D-Sub
- o InduCom

Applications



## Product details

**09 33 006 2701**

**Female insert, Han 6 E**

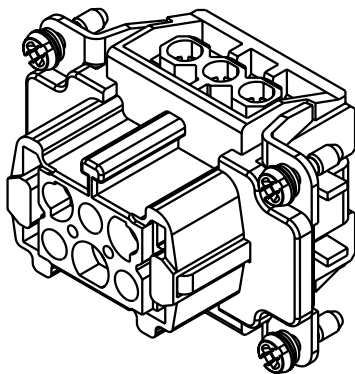
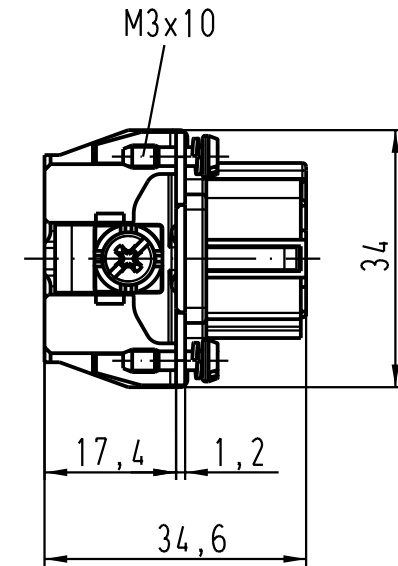
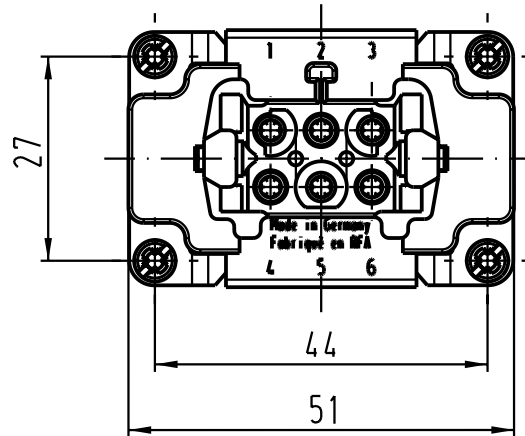
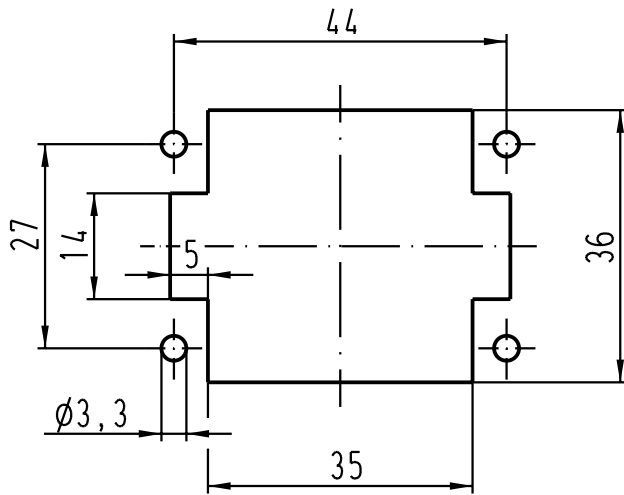
Series	Han E®, Han® ES/ESS, Han E® AV, Han® ES AV
Number of contacts	6 poles + PE
Size of hood/ housing	Han® 6 B
Termination	Screw term. with wire prot.
Insert material	Standard material
Contacts	Inclusive
Electrical data	16 A 500 V 6 kV 3
RoHS compliant	Yes

### Available Downloads

Title	Format	
Data sheet	PDF	<a href="#">↓ download</a>
CAD data 2D	DXF	<a href="#">↓ download</a>
CAD data 3D	IGES	<a href="#">↓ download</a>
CAD data 3D	STEP	<a href="#">↓ download</a>

**Inquiry**

Montageausschnitt/  
panel cut out



All Dimensions in mm Original Size DIN A 4			Techn. Character.			Nicht tolerierte Masse / Free size tolerances			
				Dat.	Name	Massstab / Scale			
				Detail.	09.04.98	KR	1:1		
				Insp.		Rue.			
				Stand.					
410526	18.07.03	Ho	HARTING Electric GmbH & Co. KG				TB 09 33 006 2701		
28552	11.10.00	ROH.	D-32339 Espelkamp						
26781			Mod.	Dat.	Name		Sub.		